

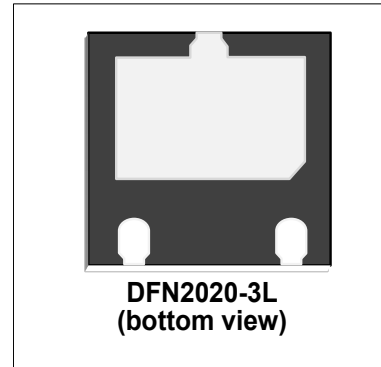


Features

- 3200 Watts Peak Power (tp = 8/20μs)
- Fast Response time: Typically <1ns
- Excellent Clamping Capability
- Low Inductance
- Low profile package

IEC Compatibility (EN61000-4)

- IEC 61000-4-2 (ESD) ±30kV (air), ±30kV (contact)
- IEC 61000-4-4 (EFT) 40A (5/50ns)
- IEC 61000-4-5 (Lightning) 60A (8/20μs)



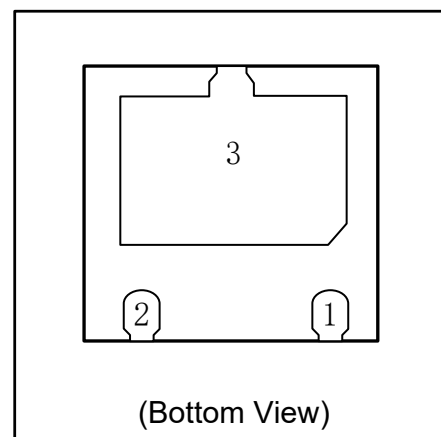
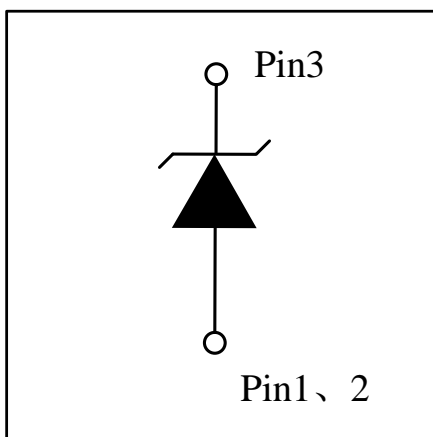
Mechanical Characteristics

- DFN2020-3L package
- Molding compound flammability rating: UL 94V-0
- Marking : Making Code
- Packaging : Tape and Reel per EIA 481
- RoHS Compliant

Applications

- I/O Interfaces
- Power lines
- Automotive and Telecommunication
- Computer & Consumer Electronics
- Industrial Electronics
- Microcontroller Input Protection

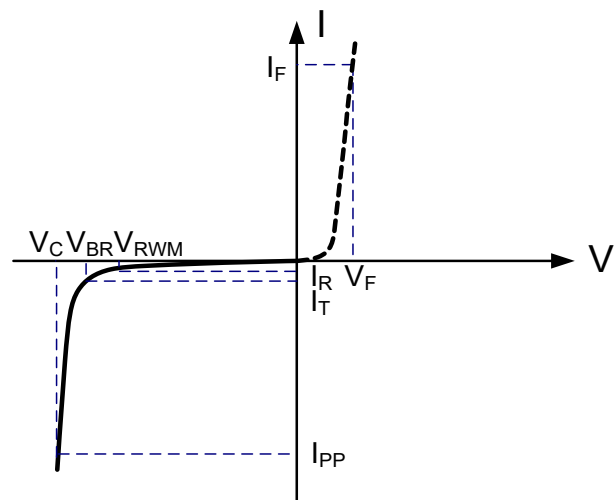
PIN Configuration



Absolute Maximum Rating			
Rating	Symbol	Value	Units
Lead Soldering Temperature	T_L	260(10sec)	$^{\circ}\text{C}$
Operating Temperature	T_J	-55 to + 125	$^{\circ}\text{C}$
Storage Temperature	T_{STG}	-55 to +150	$^{\circ}\text{C}$
Peak Pulse Power ($t_p=8/20\mu\text{s}$)	P_{PP}	3200	Watts

Electrical Parameters (T=25 $^{\circ}\text{C}$)

Symbol	Parameter
I_{PP}	Reverse Peak Pulse Current
V_C	Clamping Voltage @ I_{PP}
V_{RWM}	Reverse Stand-Off Voltage
I_R	Reverse Leakage Current @ V_{RWM}
V_{BR}	Breakdown Voltage @ I_T
I_T	Test Current
I_F	Forward Current
V_F	Forward Voltage @ I_F



Electrical Characteristics

DW22P4N3-S						
Parameter	Symbol	Conditions	Minimum	Typical	Maximum	Units
Reverse Stand-Off Voltage	V_{RWM}				22	V
Reverse Breakdown Voltage	V_{BR}	$I_T=1\text{mA}$	24			V
Reverse Leakage Current	I_R	$V_{RWM}=22\text{V}, T=25^{\circ}\text{C}$			500	nA
Peak Pulse Current	I_{PP}	$t_p=8/20\mu\text{s}$			60	A
Clamping Voltage ¹	V_C	$I_{PP}=1\text{A}, t_p=8/20\mu\text{s}$		30	33	V
Clamping Voltage ¹	V_C	$I_{PP}=50\text{A}, t_p=8/20\mu\text{s}$		48	51	V
Clamping Voltage ¹	V_C	$I_{PP}=60\text{A}, t_p=8/20\mu\text{s}$		49	52	V
Junction Capacitance	C_j	$V_R=0\text{V}, f=1\text{MHz}$		545	600	pF

Note: Measured from pin 3 to pin 1 & pin 2.

Typical Characteristics

Figure 1: Peak Pulse Power vs. Pulse Time

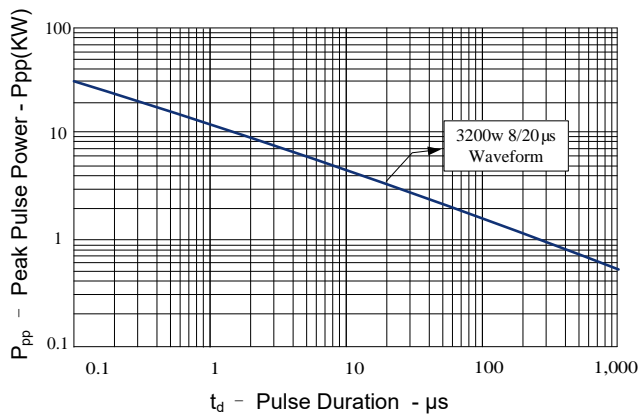


Figure 2: Power Derating Curve

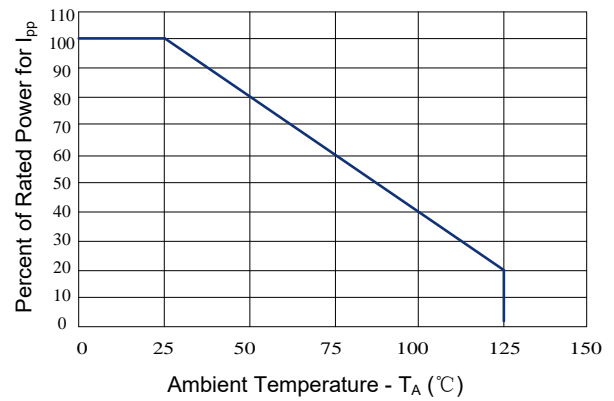


Figure 3: Clamping Voltage vs. Peak Pulse Current

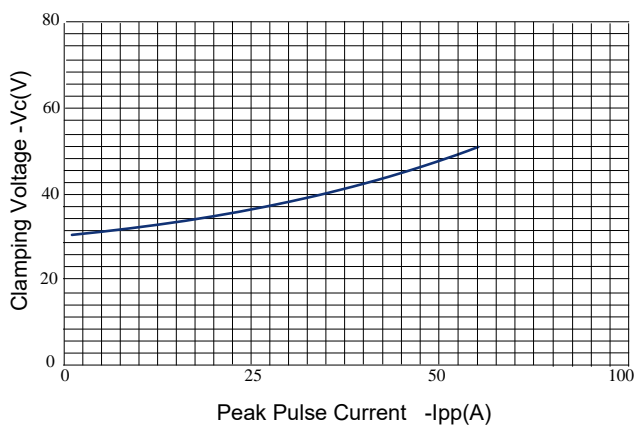


Figure 4: Normalized Junction Capacitance vs. Reverse Voltage

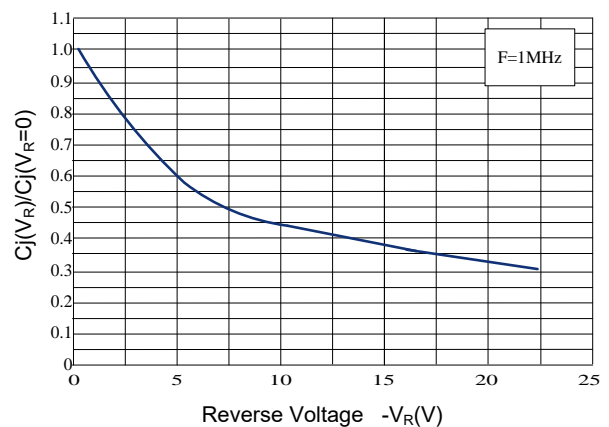
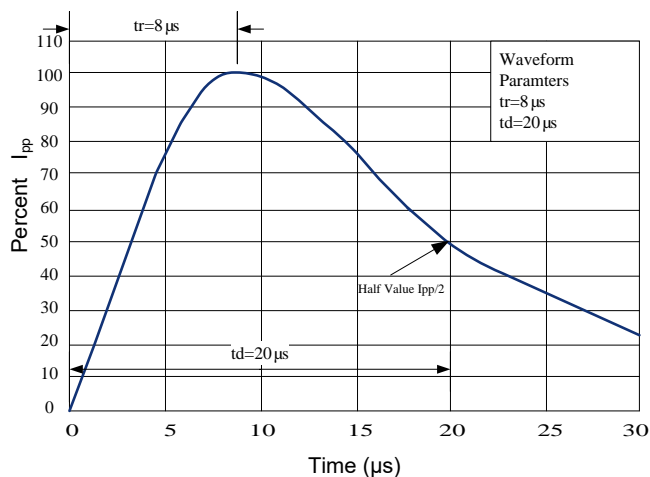
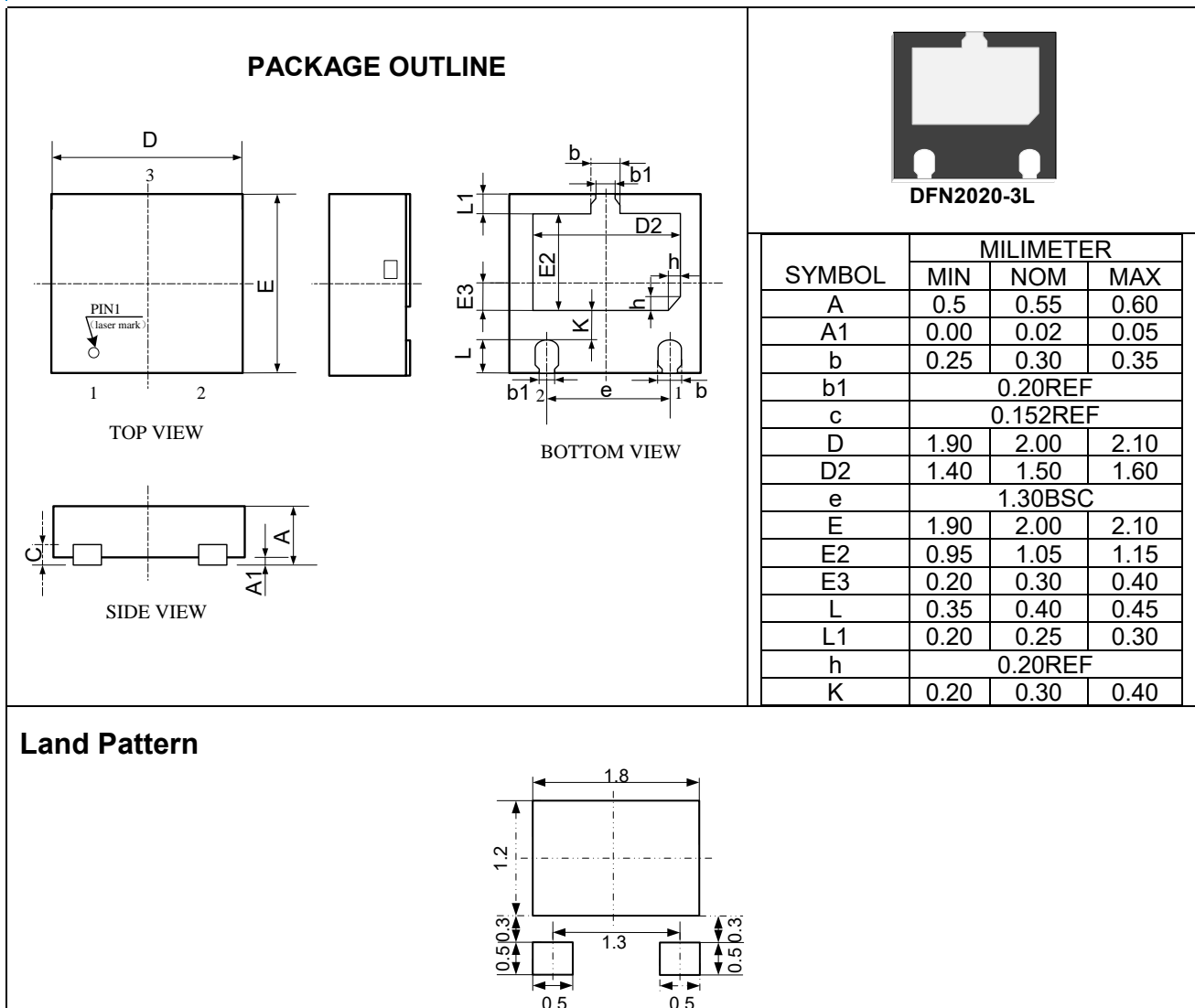


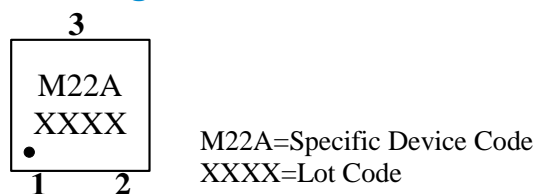
Figure 5: 8/20μs Pulse Waveform



Outline Drawing –DFN2020-3L



Marking Codes



Package Information

Qty: 3k/Reel